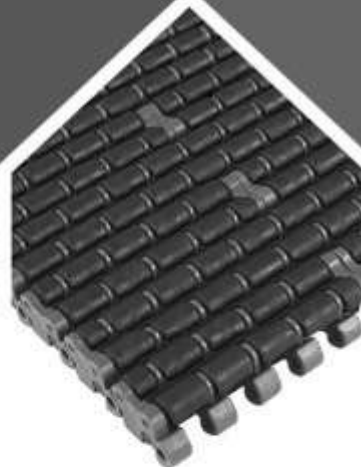


20 [18]

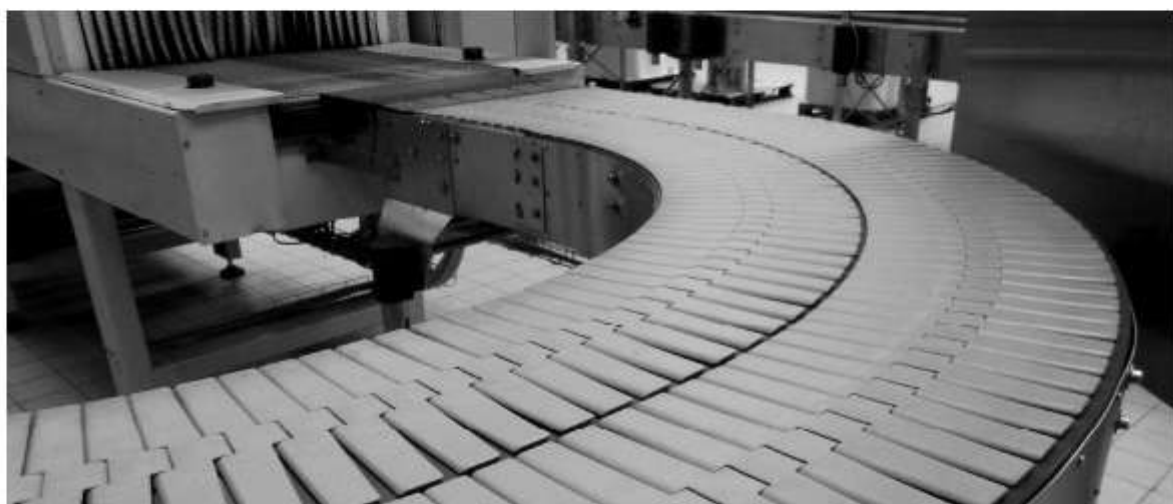
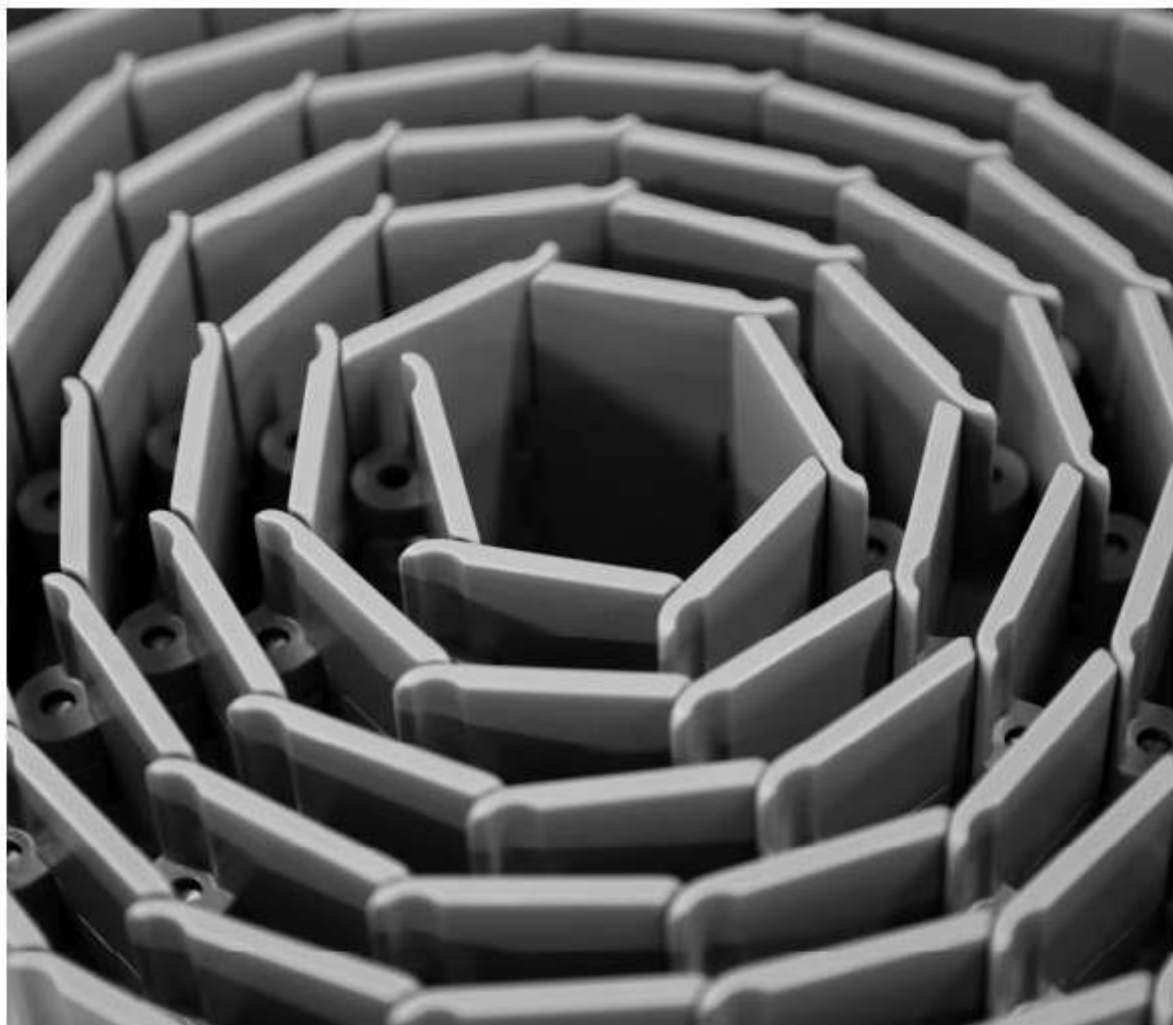


CADENAS DE ACERO



Movex[®]
PRODUCT CATALOG

MVSOLUTIONS.ES



Movex[®]

Movex[®]

Global Thinking, Local acting.

Tu negocio está avanzando hacia el futuro.

Movex diseña y fabrica componentes de alta calidad para la comida, industrias de bebidas, envases, automotriz y automatización.

Movex satisface sus necesidades de productos estándar y personalizados en una dinámica de manera receptiva, proporcionando el mejor diseño y soporte posventa.

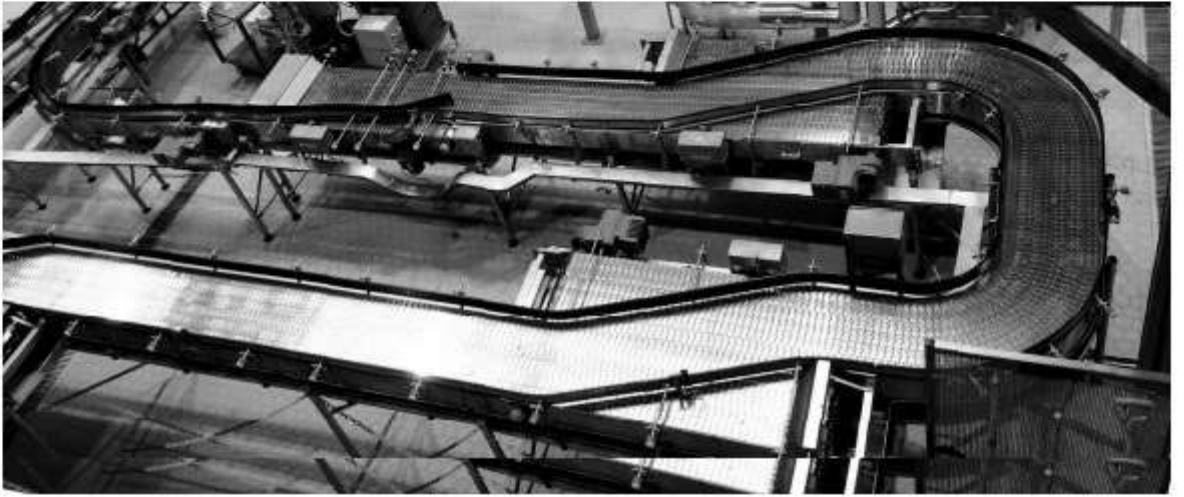
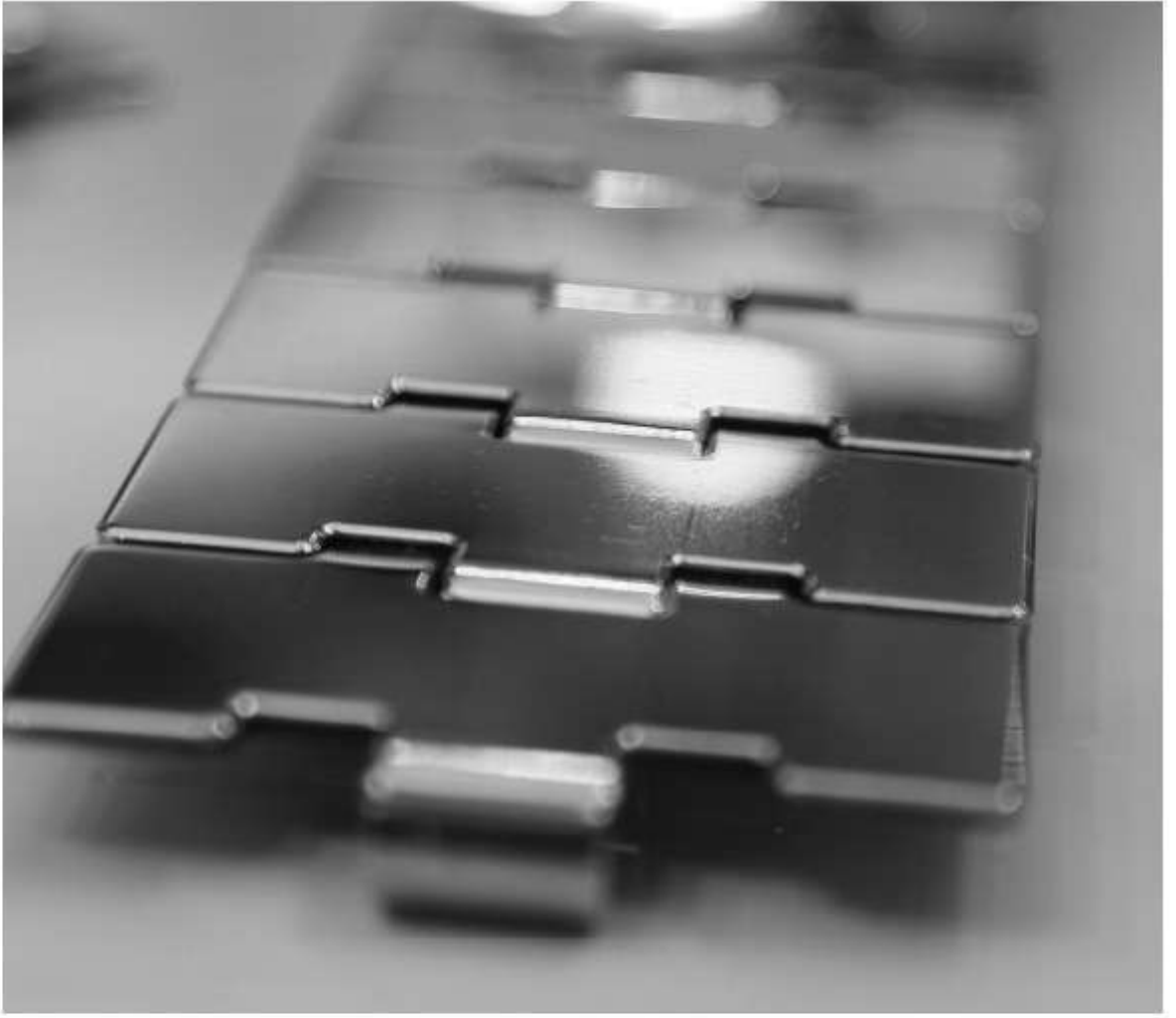
La innovación y el nivel de servicio son los objetivos de una ingeniería y ventas calificadas con el objetivo de presentar Movex como un proveedor de excelencia para todos los clientes.

A través de una red de distribución que abarca todo el mundo, Movex ofrece constante evolución en diseño, rendimiento y servicio.

Calidad y Pasión a su servicio.

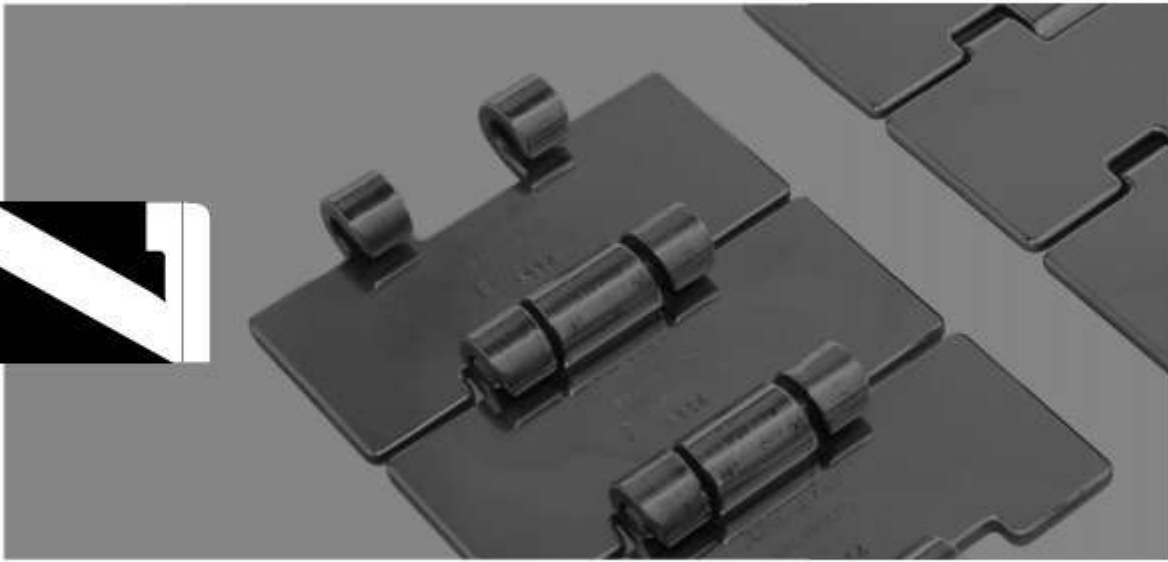


MVSOLUTIONS.ES



Movex[®]





Steel chains

812/815



Pag 8/9

802/805



Pag 10

8157



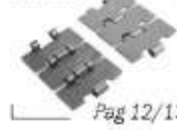
Pag 10

512



Pag 11

881 M



Pag 12/13

881 TAB



Pag 14

881 B



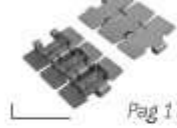
Pag 15

8811 TAB



Pag 16

8811 B



Pag 17

8857 M



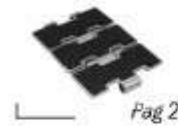
Pag 18

815 MINI



Pag 19

812 GT/815 GT



Pag 20

815 TAB GT



Pag 21

802 GT/805 GT



Pag 22

8157 GT



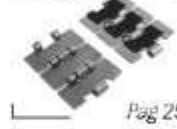
Pag 23

8811 TAB GT



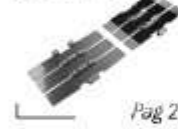
Pag 24

881 M GT



Pag 25

8857 M GT



Pag 26

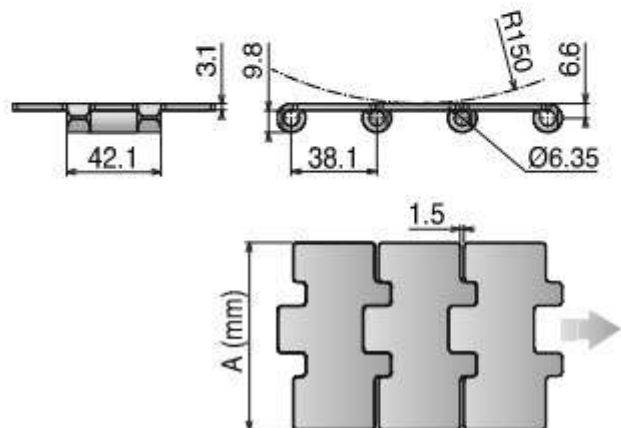
1874 TAB



Pag 27

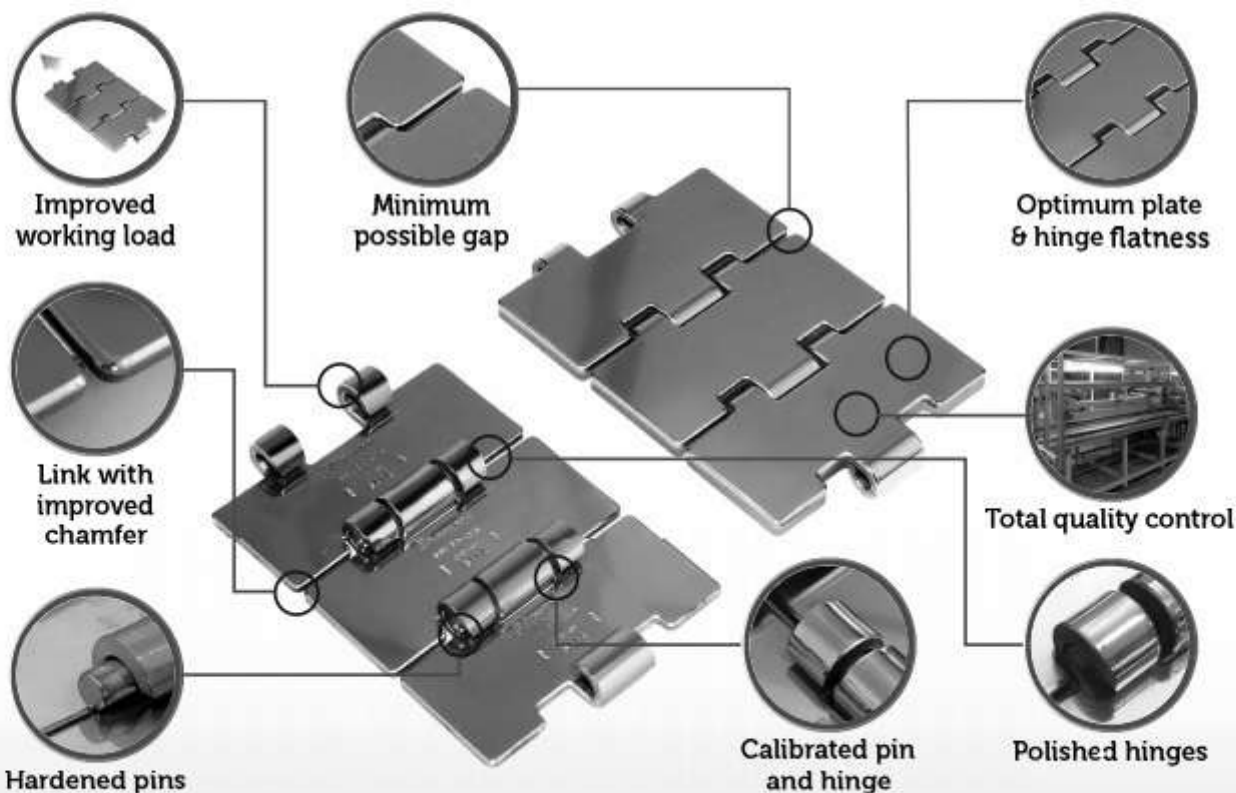
815 Catena rettilinea Straight running chain / Geradegängige Scharnierbandkette

Pins: Martensitic 1.4057 | Backflex radius min.: 150 mm



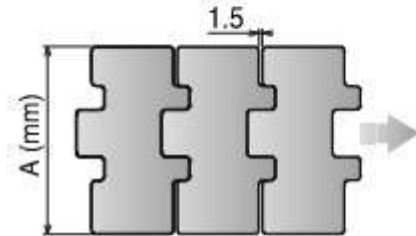
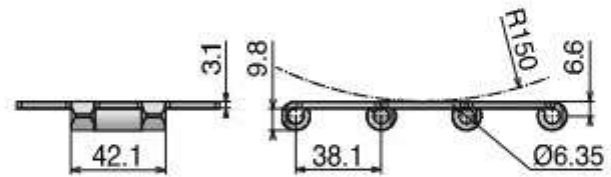
Article-Nr.	Ref.	A (Plate Width) mm	Weight kg/m	Surface finish µm	Surface Flatness mm	Polished Hinge eyes	Max working load (N)	Plate thickness mm
SSM Max Speed - Hardened pins								
10010302	SSM 815 K325	82,5	2,55	0,2	0,08	YES	6000	3,1
10010303	SSM 815 K330	83,8	2,59	0,2	0,08	YES		

Max Speed High Performance



812/815 Catena rettilinea Straight running chain / Geradegängige Scharnierbandkette

Pins: Martensitic 1.4057 | Backflex radius min.: 150 mm



Article-Nr.	Ref.	A (Plate Width) mm	Weight kg/m	Surface finish µm	Surface Flatness mm	Polished Hinge eyes	Max working load (N)	Plate Thickness mm
-------------	------	--------------------	-------------	-------------------	---------------------	---------------------	----------------------	--------------------

SS Ferritic Stainless Steel (1.4016)

10010216	SS 812 K300	76,2	2,50	0,5	0,15	NO	5400	3,1
10010202	SS 812 K325	82,5	2,55	0,5	0,15	NO		
10010203	SS 812 K330	83,8	2,59	0,5	0,15	NO		
10010204	SS 812 K350	88,9	2,69	0,5	0,15	NO		
10010214	SS 812 K400	101,6	3,00	0,5	0,15	NO		
10010205	SS 812 K450	114,3	3,25	0,5	0,20	NO		
10010206	SS 812 K600	152,4	4,15	0,5	0,30	NO		
10010207	SS 812 K750	190,5	5,05	0,5	0,30	NO		

SSE specially treated Ferritic Stainless Steel (1.4589) - Hardened pins

10010102	SSE 815 K325	82,5	2,55	0,3	0,10	YES	6000	3,1
10010103	SSE 815 K330	83,8	2,59	0,3	0,10	YES		
10010104	SSE 815 K350	88,9	2,69	0,3	0,15	NO		
10010114	SSE 815 K400	101,6	3,00	0,3	0,15	NO		
10010105	SSE 815 K450	114,3	3,25	0,3	0,20	NO		
10010106	SSE 815 K600	152,4	4,15	0,3	0,30	NO		
10010107	SSE 815 K750	190,5	5,05	0,3	0,30	NO		

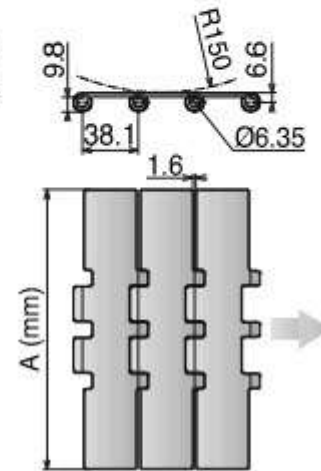
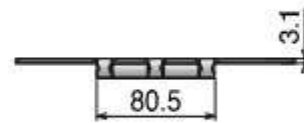
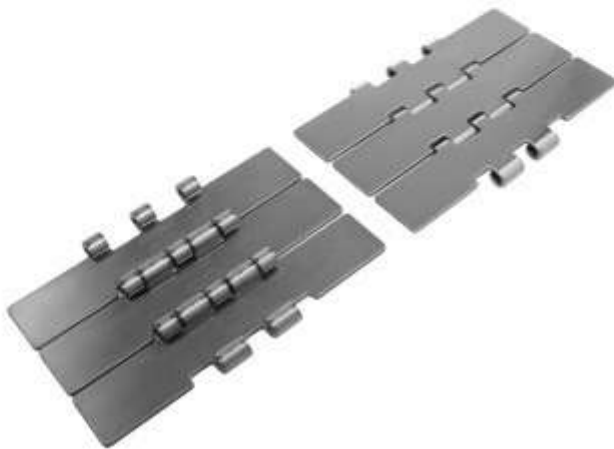
SSA Austenitic Stainless Steel (AISI 304) - Austenitic pin

10010402	SSA 815 K325	82,5	2,55	0,5	0,15	NO	5300	3,1
10010403	SSA 815 K330	83,8	2,59	0,5	0,15	NO		
10010404	SSA 815 K350	88,9	2,69	0,5	0,15	NO		
10010405	SSA 815 K450	114,3	3,25	0,5	0,20	NO		
10010406	SSA 815 K600	152,4	4,15	0,5	0,30	NO		
10010407	SSA 815 K750	190,5	5,05	0,5	0,30	NO		

802/805

Catena rettilinea
Straight running chain / Geradegängige Scharnierbandkette

Pins: Martensitic 1.4057 | Backflex radius min.: 150 mm

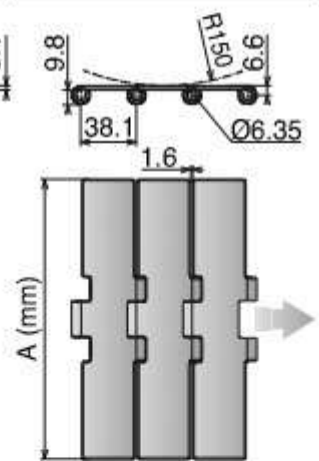
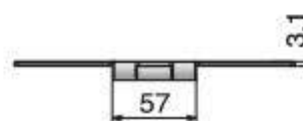


Article-Nr	Ref.	A (Plate Width) mm	Weight kg/m	Surface finish µm	Max working load (N)	Plate Thickness mm
SS Ferritic Stainless Steel (1.4016)						
10030207	SS 802 K750	190,5	5,80	0,6	7000	3,1
SSE Specially treated Ferritic Stainless Steel (1.4589) - Hardened pins						
10030107	SSE 805 K750	190,5	5,80	0,3	9000	3,1
SSA Austenitic Stainless Steel (AISI 304) - Austenitic pin						
10030407	SSA 805 K750	190,5	5,80	0,6	8700	3,1

8157

Catena rettilinea
Straight running chain / Geradegängige Scharnierbandkette

Pins: Martensitic 1.4057 | Backflex radius min.: 150 mm

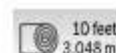
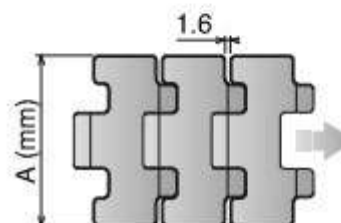
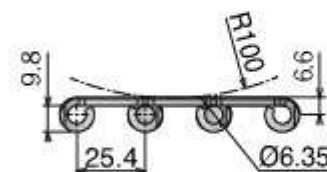
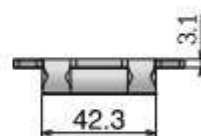


Article-Nr	Ref.	A (Plate Width) mm	Weight kg/m	Surface finish µm	Max working load (N)	Plate Thickness mm
SSE Specially treated Ferritic Stainless Steel (1.4589) - Hardened pins						
10050107	SSE 8157 K750	190,5	5,60	0,3	7000	3,1

512

Catena rettilinea
Straight running chain / Geradegängige Scharnierbandkette

Pins: Martensitic 1.4057 | Backflex radius min.: 100 mm



120 links



pg. 94-97



pg. 473-476

Article.Nr	Ref.	A (Plate Width) mm	Weight kg/m	Surface finish µm	Max working load (N)	Plate Thickness mm
------------	------	-----------------------	----------------	----------------------	-------------------------	-----------------------

SSE Specially treated Ferritic Stainless Steel (1.4589) - Hardened pins

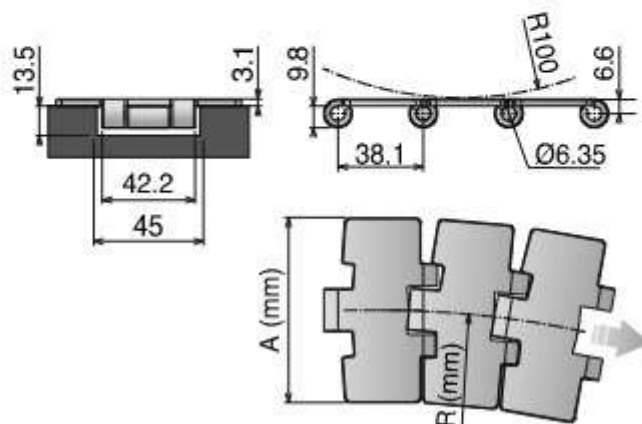
10070100	SSE 512 K217	55,1	2,30	0,3	5000	3,1
10070101	SSE 512 K236	59,9	2,40	0,3		
10070108	SSE 512 K250	63,5	2,45	0,3		
10070109	SSE 512 K283	71,9	2,65	0,3		
10070102	SSE 512 K325	82,5	2,90	0,3		
10070104	SSE 512 K350	88,9	3,00	0,3		
10070114	SSE 512 K400	101,6	3,30	0,3		

SSA Austenitic Stainless Steel (AISI 304) - Austenitic pin

10070400	SSA 512 K217	55,1	2,30	0,3	4500	3,1
10070401	SSA 512 K236	59,9	2,40	0,3		
10070408	SSA 512 K250	63,5	2,45	0,3		
10070409	SSA 512 K283	71,9	2,65	0,3		
10070414	SSA 512 K400	101,6	3,30	0,3		

881 M Catena curvilinea Sideflexing chain / Kurvengängige Scharnierbandkette

Pins: Martensitic 1.4057 | Backflex radius min.: 100 mm

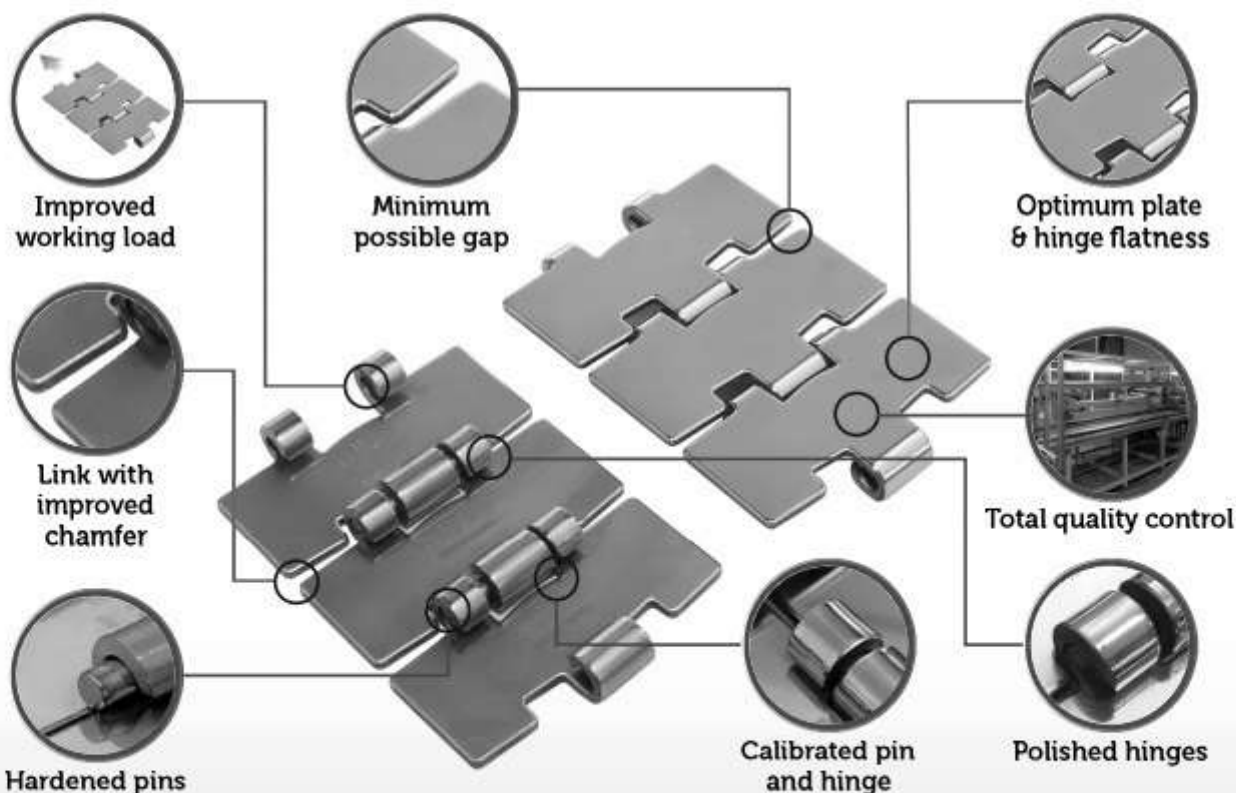


Magnetic System



Article-Nr.	Ref.	A (Plate Width) mm	R mm	Weight kg/m	Surface finish μm	Surface Flatness mm	Polished Hinge eyes	Max working load (N)	Plate Thickness mm
SSM Max Speed - Hardened pins									
10080302	SSM 881 M0 K325	82,5	500	2,55	0,2	0,08	YES	6000	3,1
10080303	SSM 881 M0 K330	83,8	500	2,59	0,2	0,08	YES		

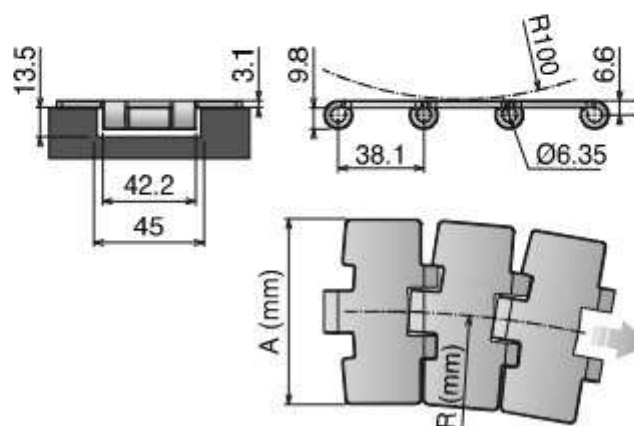
Max Speed High Performance



881 M

Catena curvilinea
Sideflexing chain / Kurvengängige Scharnierbandkette

Pins: Martensitic 1.4057 | Backflex radius min.: 100 mm



Magnetic System

10 feet
3,048 m
80 links

pg. 84-85/106

pg. 111->125

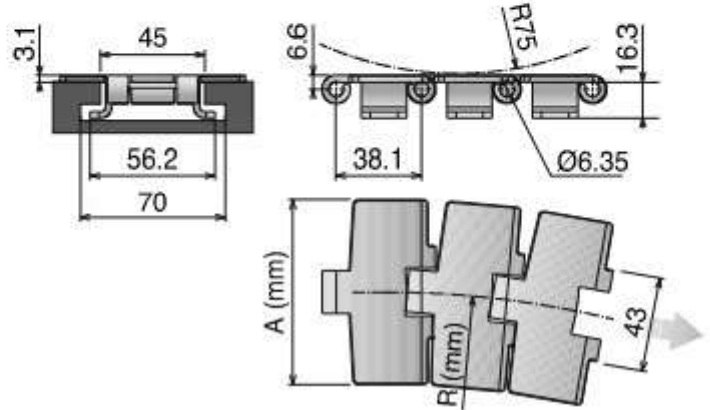
pg. 473->476

Article-Nr.	Ref.	A (Plate Width) mm	R mm	Weight kg/m	Surface finish µm	Surface Flatness mm	Polished Hinge eyes	Max working load (N)	Plate Thickness mm
SS Ferritic Stainless Steel (1.4016)									
10080202	SS 881 M0 K325	82,5	500	2,55	0,5	0,15	YES	5400	3,1
10080203	SS 881 M0 K330	83,8	500	2,59	0,5	0,15	YES		
10080205	SS 881 M0 K450	114,3	500	3,10	0,5	0,20	YES		
10080207	SS 881 M0 K750	190,5	500	4,85	0,5	0,30	YES		
SSE Specially treated Ferritic Stainless Steel (1.4589) - Hardened pins									
10080102	SSE 881 M0 K325	82,5	500	2,55	0,3	0,10	YES	6000	3,1
10080103	SSE 881 M0 K330	83,8	500	2,59	0,3	0,10	YES		
10080105	SSE 881 M0 K450	114,3	500	3,10	0,3	0,20	YES		
10080107	SSE 881 M0 K750	190,5	500	4,85	0,3	0,30	YES		

881 TAB

Catena curvilinea
Sideflexing chain / Kurvengängige Scharnierbandkette

Pins: Martensitic 1.4057 | Backflex radius min.: 75 mm



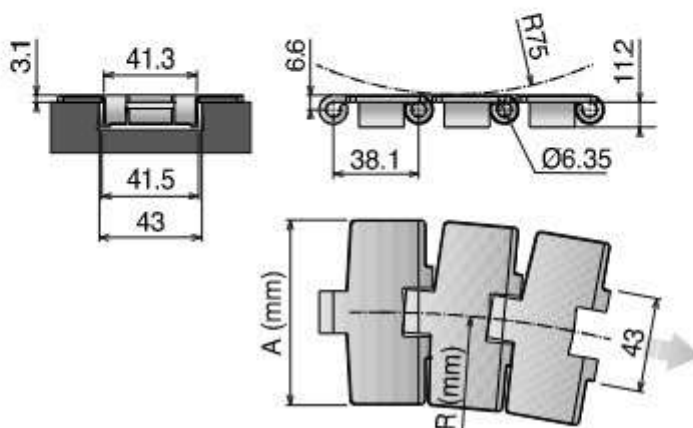
Tab System



Article-Nr	Ref.	A (Plate Width) mm	R mm	Weight kg/m	Surface finish µm	Max working load (N)	Plate thickness mm
SS Ferritic Stainless Steel (1.4016)							
10100202	SS 881 TAB K325	82,5	457	3,00	0,3	5400	3,1
SSE Specially treated Ferritic Stainless Steel (1.4589) - Hardened pins							
10100102	SSE 881 TAB K325	82,5	457	3,00	0,3	6000	3,1
10100105	SSE 881 TAB K450	114,3	500	3,69	0,3		
10100107	SSE 881 TAB K750	190,5	500	5,50	0,3		
SSA Austenitic Stainless Steel (AISI 304) - Austenitic pin							
10100402	SSA 881 TAB K325	82,5	457	3,00	0,3	4500	3,1
10100405	SSA 881 TAB K450	114,3	500	3,69	0,3		
10100407	SSA 881 TAB K750	190,5	500	5,50	0,3		

881 B Catena curvilinea Sideflexing chain / Kurvengängige Scharnierbandkette

Pins: Martensitic 1.4057 | Backflex radius min.: 75 mm



Bevel System



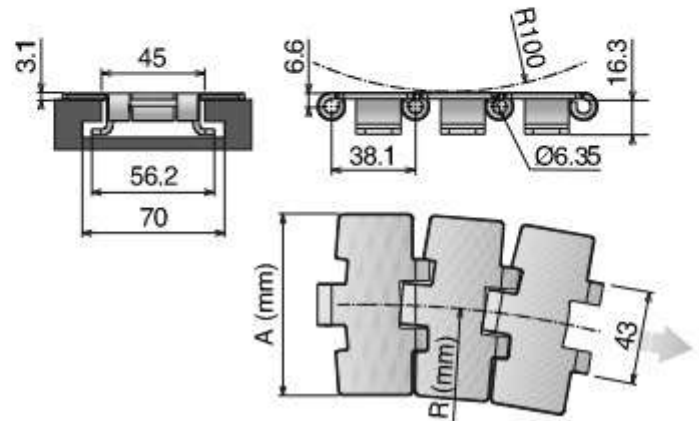
Article-Nr.	Ref.	A (Plate Width) mm	R mm	Weight kg/m	Surface finish µm	Max working load (N)	Plate Thickness mm
SSE Specially treated Ferritic Stainless Steel (1.4589) - Hardened pins							
10120102	SSE 881 K325	82,5	457	2,95	0,3	6000	3,1
10120104	SSE 881 K350	88,9	500	3,00	0,3		
10120105	SSE 881 K450	114,3	500	3,65	0,3		
10120107	SSE 881 K750	190,5	500	5,45	0,3		
SSA Austenitic Stainless Steel (AISI 304) - Austenitic pin							
10120402	SSA 881 K325	82,5	457	2,95	0,3	4500	3,1
10120405	SSA 881 K450	114,3	500	3,65	0,3		
10120407	SSA 881 K750	190,5	500	5,45	0,3		

8811 TAB

Catene in acciaio / Steel chains / Scharnierbandketten aus Edelstahl

8811 TAB Catena curvilinea Sideflexing chain / Kurvengängige Scharnierbandkette

Pins: Martensitic 1.4057 | Backflex radius min.: 100 mm



Tab System

- 

10 feet
3,048 m

80 links
- 

pg. 84-85/106
- 

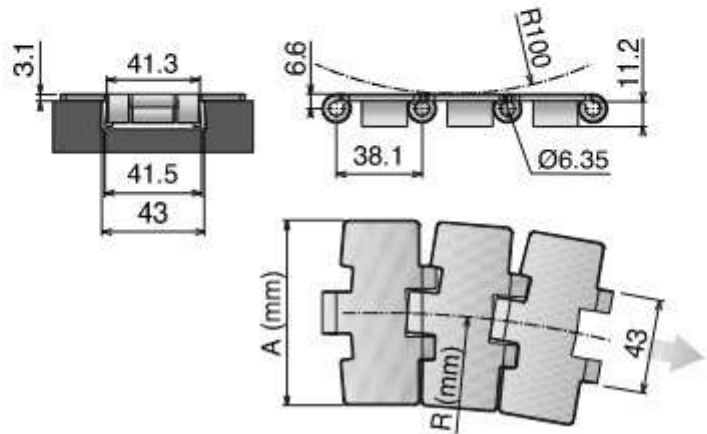
pg. 157/162
- 

pg. 473-476

Article-Nr	Ref.	A (Plate Width) mm	R mm	Weight kg/m	Surface finish µm	Max working load (N)	Plate thickness mm
SS Ferritic Stainless Steel (1.4016)							
10140202	SS 8811 TAB K325	82,5	500	2,95	0,3	5400	3,1
10140203	SS 8811 TAB K330	83,8	500	3,05	0,3		
10140205	SS 8811 TAB K450	114,3	610	3,65	0,3		
10140207	SS 8811 TAB K750	190,5	610	5,45	0,3		
SSE Specially treated Ferritic Stainless Steel (1.4589) - Hardened pins							
10140102	SSE 8811 TAB K325	82,5	500	2,95	0,3	6000	3,1
10140103	SSE 8811 TAB K330	83,8	500	3,05	0,3		
10140104	SSE 8811 TAB K350	88,9	500	3,15	0,3		
10140105	SSE 8811 TAB K450	114,3	610	3,65	0,3		
10140107	SSE 8811 TAB K750	190,5	610	5,45	0,3		
SSA Austenitic Stainless Steel (AISI 304) - Austenitic pin							
10140402	SSA 8811 TAB K325	82,5	500	2,95	0,3	4500	3,1
10140403	SSA 8811 TAB K330	83,8	500	3,05	0,3		
10140405	SSA 8811 TAB K450	114,3	610	3,65	0,3		
10140407	SSA 8811 TAB K750	190,5	610	5,45	0,3		

8811 B Catena curvilinea Sideflexing chain / Kurvengängige Scharnierbandkette

Pins: Martensitic 1.4057 | Backflex radius min.: 100 mm



Bevel System



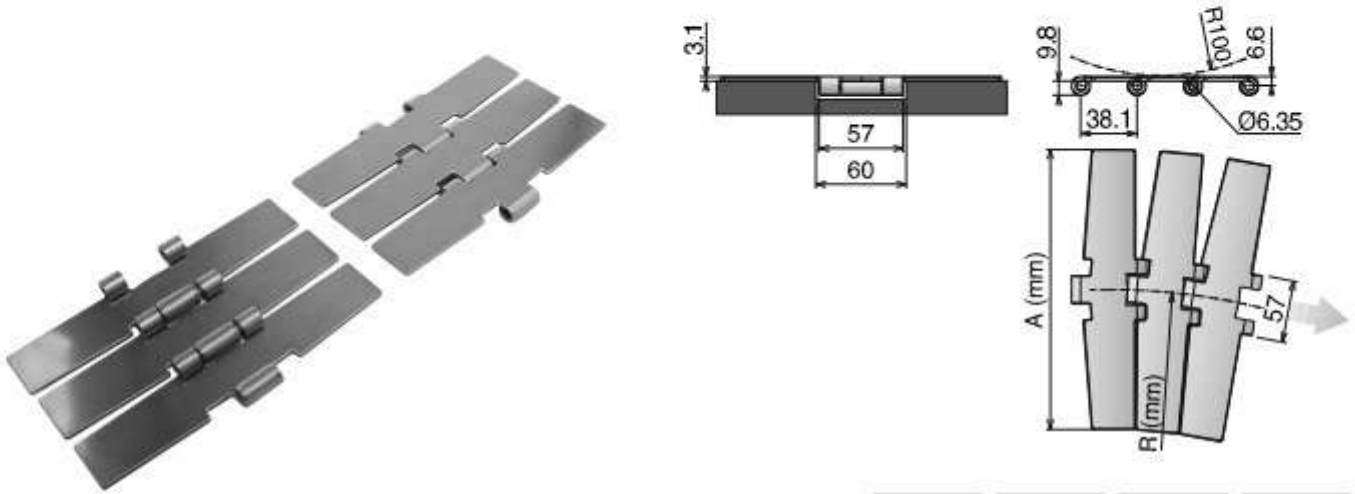
Article-Nr.	Ref.	A/ Plate Width mm	R mm	Weight kg/m	Surface finish µm	Max working load (N)	Plate thickness mm
SSE Specially treated Ferritic Stainless Steel (1.4589) - Hardened pins							
10160102	SSE 8811 K325	82,5	500	2,90	0,3	6000	3,1
10160104	SSE 8811 K350	88,9	500	3,15	0,3		
10160105	SSE 8811 K450	114,3	610	3,60	0,3		
10160107	SSE 8811 K750	190,5	610	5,40	0,3		
SSA Austenitic Stainless Steel (AISI 304) - Austenitic pin							
10160402	SSA 8811 K325	82,5	500	2,90	0,3	4500	3,1
10160404	SSA 8811 K350	88,9	500	3,15	0,3		
10160405	SSA 8811 K450	114,3	610	3,60	0,3		
10160407	SSA 8811 K750	190,5	610	5,40	0,3		

8857 M

Catene in acciaio / Steel chains / Scharnierbandketten aus Edelstahl

8857 M Catena curvilinea Sideflexing chain / Kurvengängige Scharnierbandkette

Pins: Martensitic 1.4057 | Backflex radius min.: 100 mm



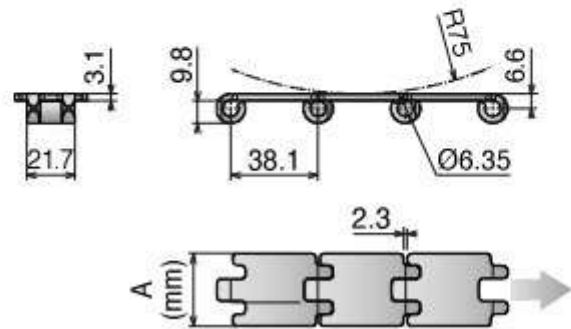
Magnetic System

10 feet 3,048 m			
80 links	pg. 88-95/106	pg. 126>131	pg. 473>476

Article-Nr.	Ref.	A (Plate Width) mm	R mm	Weight kg/m	Surface finish µm	Max working load (N)	Plate thickness mm
SSE Specially treated Ferritic Stainless Steel (1.4589) - Hardened pins							
10180107	SSE 8857 M K750	190,5	750	5,30	0,3	7000	3,1

815 MINI Catena rettilinea Straight running chain / Geradegängige Scharnierbandkette

Pins: Martensitic 1.4057 | Backflex radius min.: 75 mm



Article-Nr	Ref	A (Plate Width) mm	Weight kg/m	Max working load (N)	Plate thickness mm
SSE Specially treated Ferritic Stainless Steel (1.4589) - Hardened pins					
10210117	SSE 815 K125	31,75	1,07	3000	3,1
10210118	SSE 815 K175	44,45	1,35		

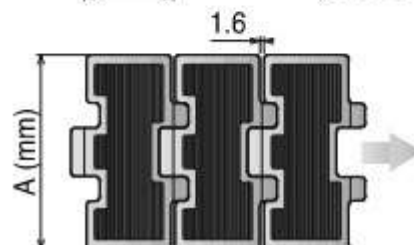
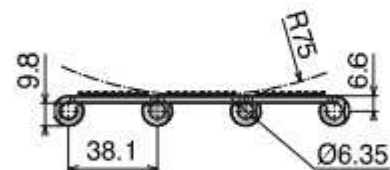
812 GT/815 GT

Catene in acciaio / Steel chains / Scharnierbandketten aus Edelstahl

812 GT/815 GT

Catena rettilinea
Straight running chain / Geradegängige Scharnierbandkette

Pins: Martensitic 1.4057 | Backflex radius min.: 75 mm



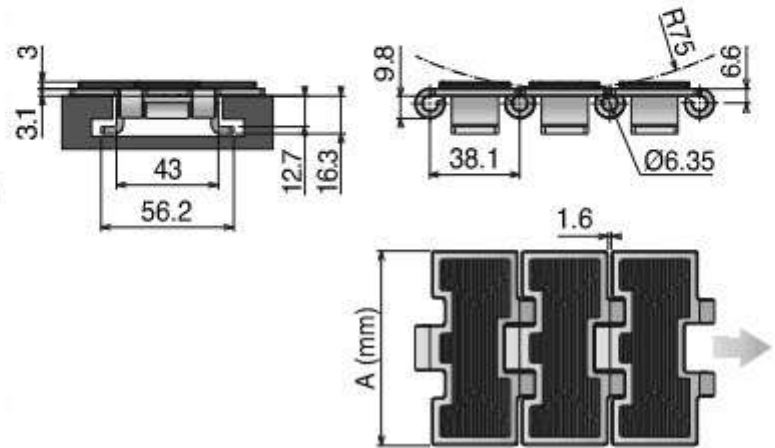
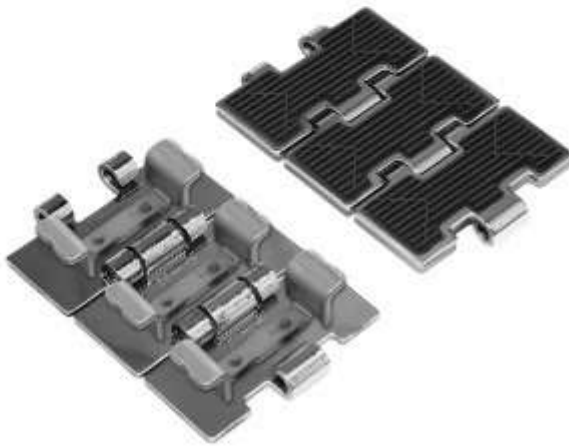
Article-Nr.	Ref.	A (Plate Width) mm	Weight kg/m	Max working load (N)	Plate/Rubber Thickness mm
SS Ferritic Stainless Steel (1.4016)					
10020202	SS 812 GT K325	82,5	2,80	5400	Plate 3,1 Rubber 3
SSE Specially treated Ferritic Stainless Steel (1.4589) - Hardened pins					
10020102	SSE 815 GT K325	82,5	2,80	6000	Plate 3,1 Rubber 3
10020105	SSE 815 GT K450	114,3	3,55		
10020107	SSE 815 GT K750	190,5	5,55		

815 TAB GT

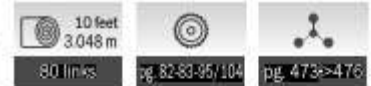
Catena rettilinea
Straight running chain / Geradegängige Schmierbandkette

Pins: Martensitic 1.4057

Backflex radius min.: 75 mm



Tab System



Article-Nr	Ref.	A (Plate Width) mm	Weight kg/m	Max working load (N)	Plate/Rubber Thickness mm
SSE Specially treated Ferritic Stainless Steel (1.4589) - Hardened pins					
10200102	SSE 815 TAB GT K325	82,5	3,40	6000	Plate 3,1 - Rubber 3

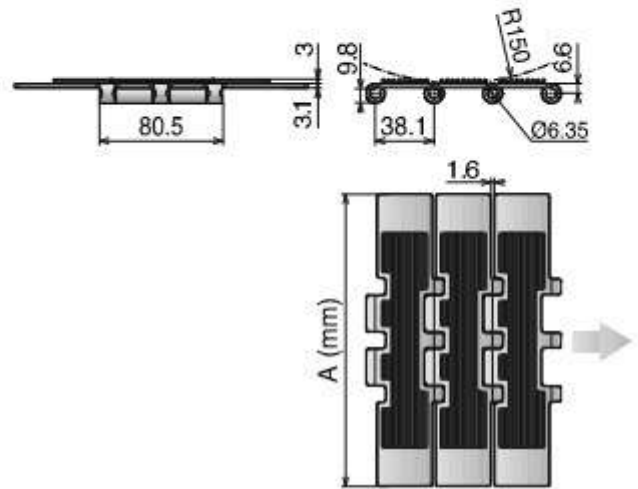
802 GT/805 GT

Catene in acciaio / Steel chains / Scharnierbandketten aus Edelstahl

802 GT/805 GT

Catena rettilinea
Straight running chain / Geradegängige Scharnierbandkette

Pins: Martensitic 1.4057 | Backflex radius min.: 150 mm

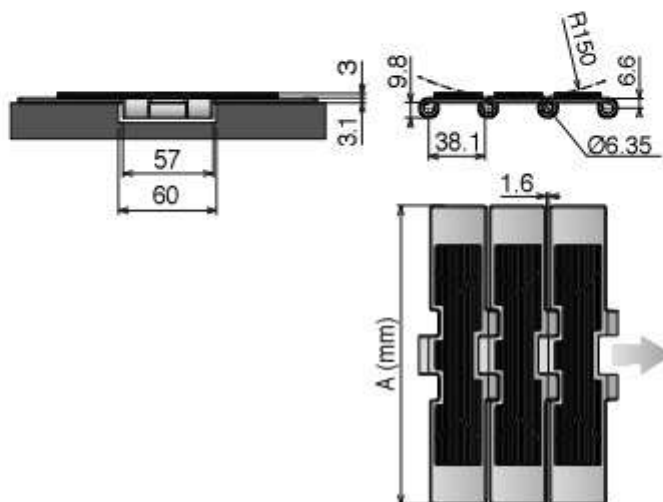


Article-Nr.	Ref.	A (Plate Width) mm	Weight kg/m	Max working load (N)	Plate/Rubber Thickness mm
SS Ferritic Stainless Steel (1.4016)					
10040207	SS 802 GT K750	190,5	6,20	7000	Plate 3,1 Rubber 3
SSE Specially treated Ferritic Stainless Steel (1.4589) - Hardened pins					
10040107	SSE 805 GT K750	190,5	6,20	9000	Plate 3,1 Rubber 3

8157 GT

Catena rettilinea
Straight running chain / Geradegängige Scharnierbandkette

Pins: Martensitic 1.4057 | Backflex radius min.: 150 mm



Article-Nr.	Ref.	A (Plate Width) mm	Weight kg/m	Max working load (N)	Plate/Rubber Thickness mm
SSE Specially treated Ferritic Stainless Steel (1.4589) - Hardened pins					
10060107	SSE 8157 GT K750	190,5	6,00	10000	Plate 3,1 Rubber 3

8811 TAB GT

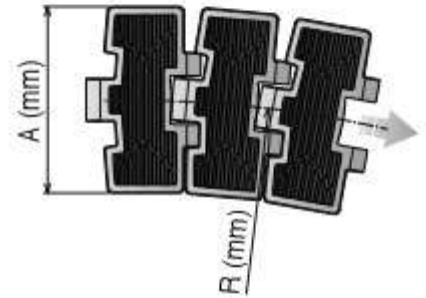
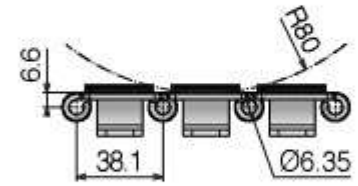
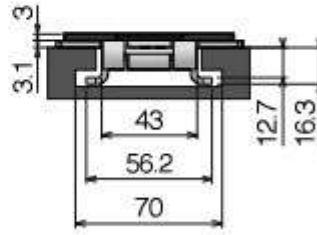
Catene in acciaio / Steel chains / Scharnierbandketten aus Edelstahl

8811 TAB GT

Catena curvilinea
Sideflexing chain / Kurvengängige Scharnierbandkette

Pins: Martensitic 1.4057

Backflex radius min.: 80 mm



Tab System

10 feet
3.048 m
80 links

pg. 84-85/106

pg. 157/162

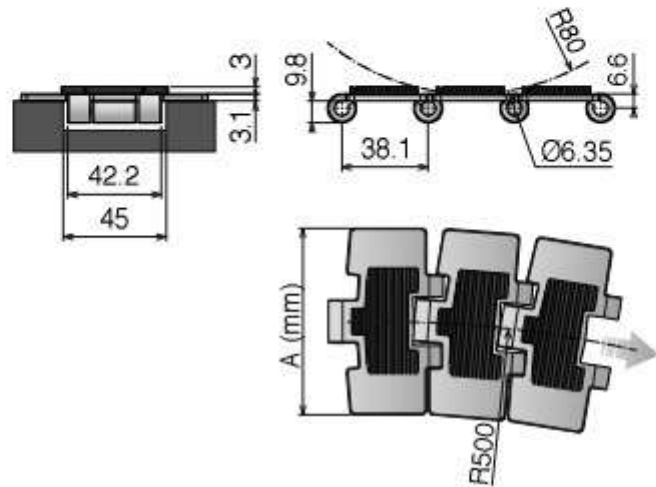
pg. 473-476

Article-Nr	Ref.	A (Plate Width) mm	R mm	Weight kg/m	Max working load (N)	Plate / Rubber Thickness mm
SSE Specially treated Ferritic Stainless Steel (1.4589) - Hardened pins						
10150102	SSE 8811 TAB GT K325	82,5	500	3,20	6000	Plate 3,1 Rubber 3
10150107	SSE 8811 TAB GT K750	190,5	610	5,70		

881 M GT

Catena curvilinea
Sideflexing chain / Kurvengängige Scharnierbandkette

Pins: Martensitic 1.4057 | Backflex radius min.: 80 mm



Magnetic System

10 feet
3.048 m
80 links

pg. 84-85/106

pg. 111->125

pg. 473->476

Article-Nr.	Ref.	A (Plate Width) mm	Weight kg/m	Max working load (N)	Plate/Rubber Thickness mm
SSE Specially treated Ferritic Stainless Steel (1.4589) - Hardened pins					
10090102	SSE 881 M GT K325	82,5	2,80	6000	Plate 3,1 Rubber 3
10090107	SSE 881 M GT K750	190,5	5,00		

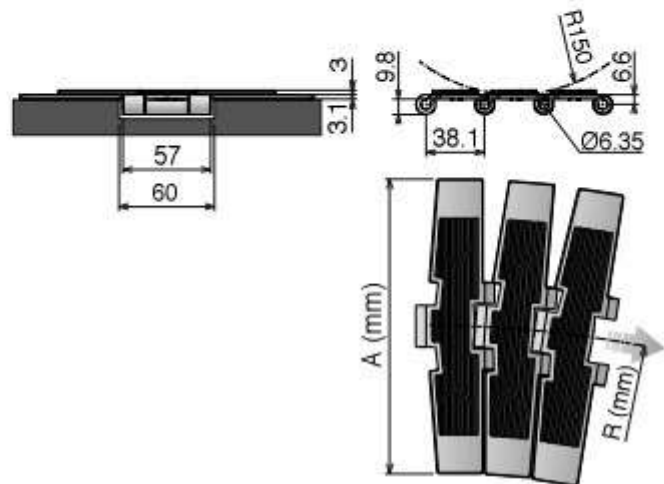
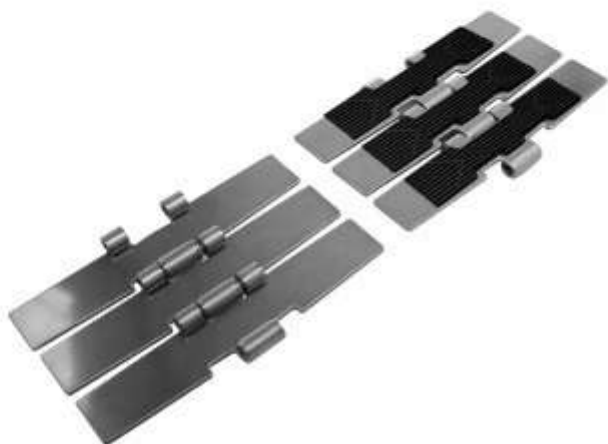
8857 M GT

Catene in acciaio / Steel chains / Scharnierbandketten aus Edelstahl

8857 M GT

Catena curvilinea
Sideflexing chain / Kurvengängige Scharnierbandkette

Pins: Martensitic 1.4057 | Backflex radius min.: 150 mm



Magnetic System

10 feet
3.048 m
80 links

pg 87-95/106

pg 126>131

pg 473>476

Article-Nr.	Ref.	A (Plate Width) mm	R mm	Weight kg/m	Surface finish µm	Max working load (N)	Plate/Rubber Thickness mm
SSE Specially treated Ferritic Stainless Steel (1.4589) - Hardened pins							
10190107	SSE 8857 M GT K750	190,5	750	5,70	0,3	10000	Plate 3,1 Rubber 3



MV TECHNOPLASTIK SOLUTIONS, S.L.
 Co Píllotegi 12, Pb. B-1
 20018 DONOSTIA - SAN SEBASTIÁN (Guipúzcoa)
 943325483 / 646151126

